

SG8800



Contactless Switch

The SG8800 is a radar-based contactless switch designed for touch-free appliance activation where high levels of sanitation is a priority. Such environments include hospitals, semiconductor clean rooms, pharmaceutical and biomedical laboratories, lavatories and food processing factories.

The SG8800 is low profile and housed in a standard enclosure for hassle-free installation. Environmentally friendly, it consumes little power and exhibits extremely low radio emissions.

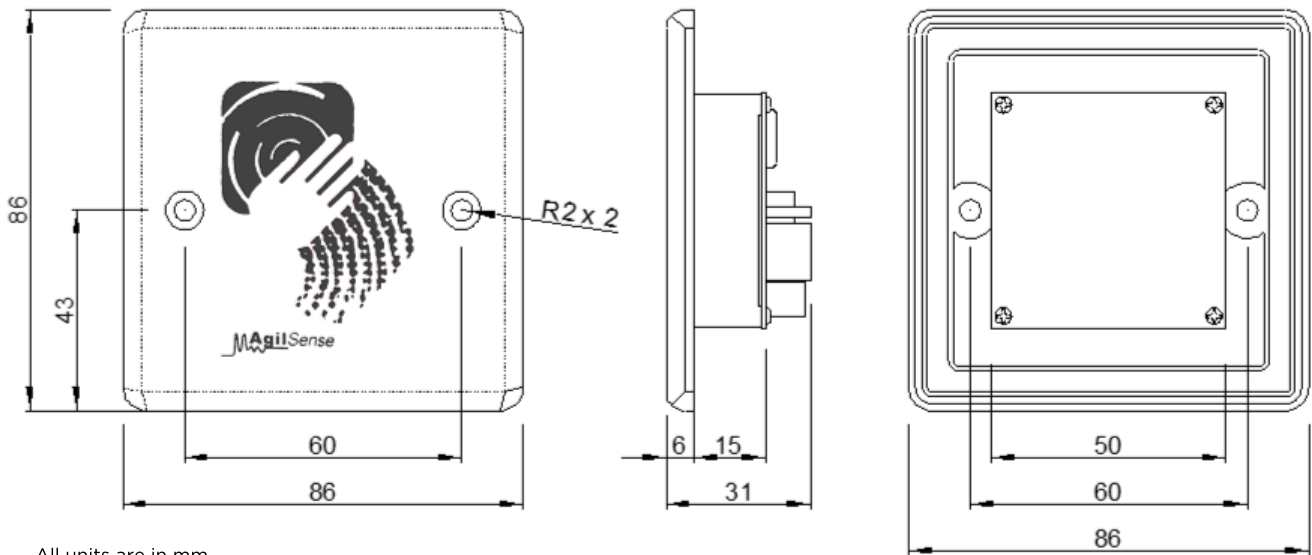
Key Applications

- Clean rooms
- Hospitals and Clinics
- Lavatories
- Food factories

Key Features

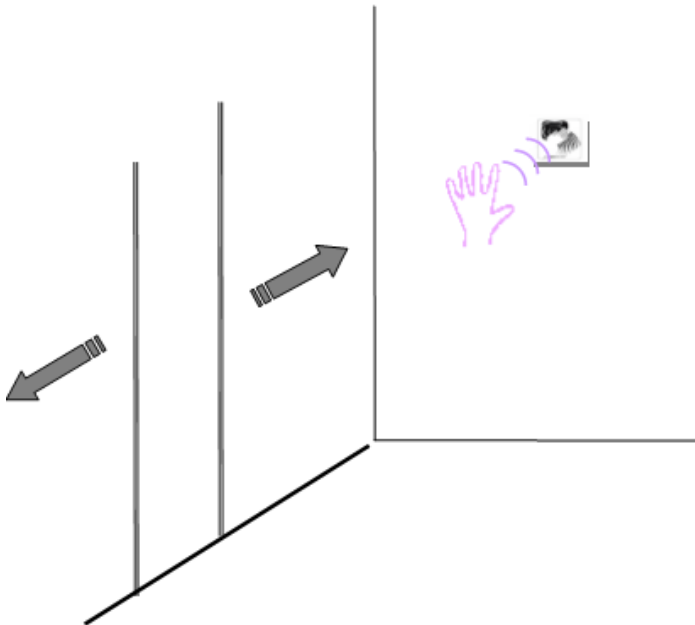
- Low profile
- Easy to install
- Low emissions
- Low power consumption
- Backlit LED for better visibility

Outline Diagram

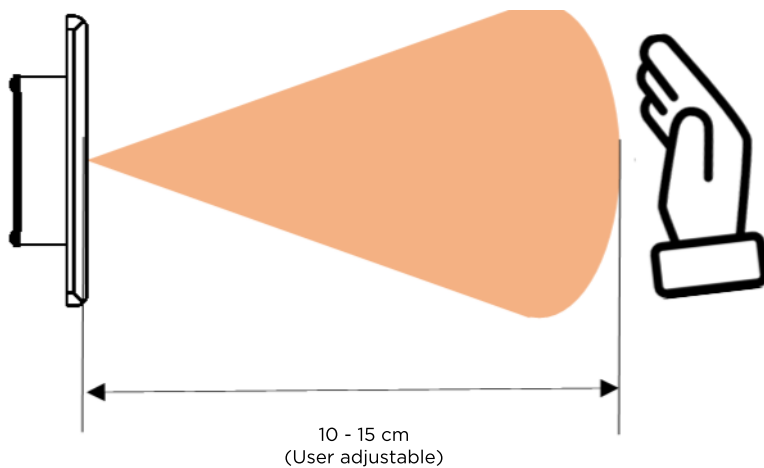


All units are in mm.

Typical Applications



Sensing Field



Technical Specifications

PARAMETER	SPECIFICATION	REMARKS
OPERATING CONDITIONS		
Supply Voltage (V_{DC})	9 - 24	
Power Consumption (W)	< 0.5	
Max Relay Contact Rating (V_{AC}/V_{DC})	120 / 24	
Max Relay Output (A)	0.5	
Operating Temperature ($^{\circ}C$)	-20 to 55	
OPERATION MODES		
Sense Mode	Activates with motion	User selectable
Sense Mode Hold Time (s)	0.5 - 10	User adjustable
Switch Mode	Toggles with motion	User selectable
Switch Mode Mask Time (sec)	3 - 10	User selectable
SENSOR PROPERTIES		
Sensor Technology	Microwave	
Operating Frequency (GHz)	24.125 typ.	
Radiated Power Density ($\mu W/cm^2$)	< 0.2	At a range of 1 meter
Detection Range (cm)	10 - 50	User adjustable via trimmer
Detection Mode	Motion	
MECHANICAL PROPERTIES		
Material	Polycarbonate (PC)	
Colour	White	
Dimensions (mm)	86 x 86 x 31	
Weight (g)	50 typ.	

Note 1: Refer to installation notes for handling and installation procedures.

Note 2: This product is designed to comply with EN 300 440 and FCC Part 15.245.

Note 3: Please contact factory for any customization requests.

ST Engineering Urban Solutions Ltd.

www.stengg.com

URS-Marketing@stengg.com

© ST Engineering Urban Solutions Ltd. All rights reserved.

